



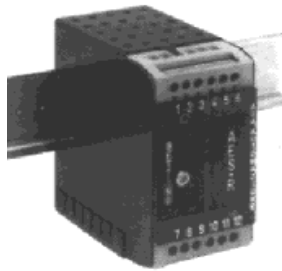
ASA-RT s.r.l.

Strada del Lionetto 16/a, 10146 Torino, ITALY
Tel +39 011 796333 - 720467 - FAX +39 011 712339
E-Mail: info@asa-rt.com http:// www.asa-rt.com

MEASURING AMPLIFIER

AES-R - AES-R/A
AHS-R - AHS-R/A

Bulletin 39/AES/99



- Construction according to CEI-EN60204-1/61010-1
- Conformity to CE specifications (IEC 801-2/801-4/801-6/EN50081-2)

- * Unit dedicated to signal management coming from load cells
- * The measuring amplifier is connected to one load cell or two load cells (parallel connection) - specify in order
- * Maximum distance of connection (load cell / measuring amplifier) ≤ 20 meters

CHARACTERISTICS:

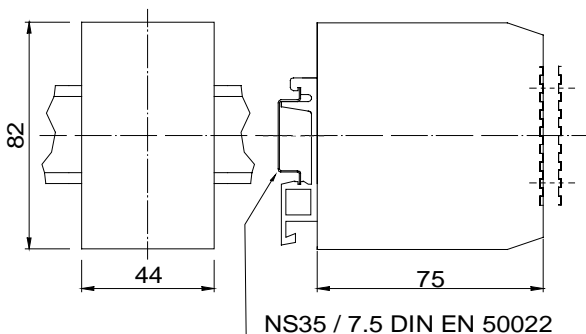
- Power supply: 24Vdc $\pm 10\%$ (ripple included) - 90mA
- 2 Analog outputs: OUT1 - OUT2
- type AES-R: OUT1: 0/+10V (10mA) - 0/-10V selectable - 25Hz/-3dB passband
 OUT2: 0/+10V (10mA) - selection: 25Hz/-3dB passband - 1V/500msec filtered
- type AES-R/A: OUT1: 0-20mA/4-20mA selectable (load ≤ 100 Ohm) - 25Hz/-3dB passband
 OUT2: 0/+10V (10mA) - 25Hz/-3dB passband
- Trimmers and jumpers for Gain regulation (250-3000V/V) and Tare compensation selectable $\pm 2mV/\pm 5mV$
- Load cell power supply: 8Vdc (50mA)
- Differential input for load cell measure: impedance $> 10M\Omega$
- Linearity: $< 0.02\%$
- Assembling: onto DIN EN 50022 and 50035 guides
- Working temperature $+10...+50^{\circ}C$

type AHS-R: converting unit: N°1 input 0-20mA / N° 2 Outputs = 0-10V

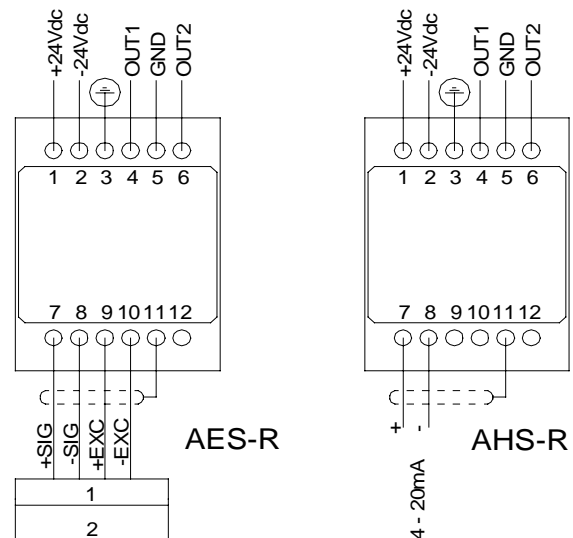
type AHS-R/A: converting unit: N°1 input 0-20mA / N° 2 Outputs = 0-10V/4-20mA

- Trimmers and jumpers for Gain regulation 0,12V/mA $\div 1,2V/mA$ and Tare compensation selectable $\pm 7mA/\pm 13mA$

DIMENSIONS (mm)



ELECTRICAL CONNECTION



1=N. 1 One load cel
2=N. 2 Two load cells (parallel connection)