



ASA-RT s.r.l.

Strada del Lionetto 16/a, 10146 Torino, ITALY  
 Tel +39 011 796333 - FAX +39 011 712339  
 E-Mail: info@asa-rt.com http:// www.asa-rt.com

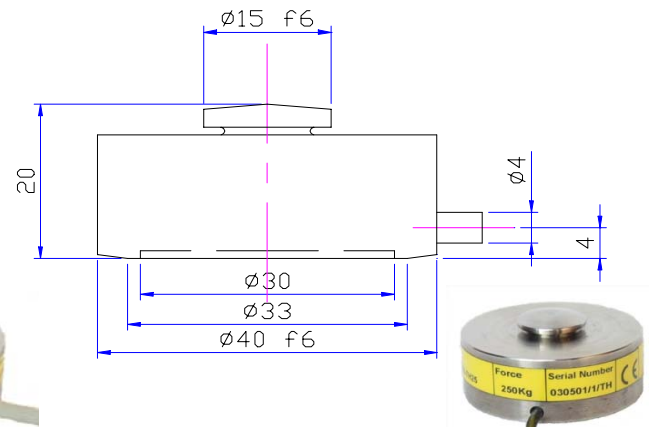
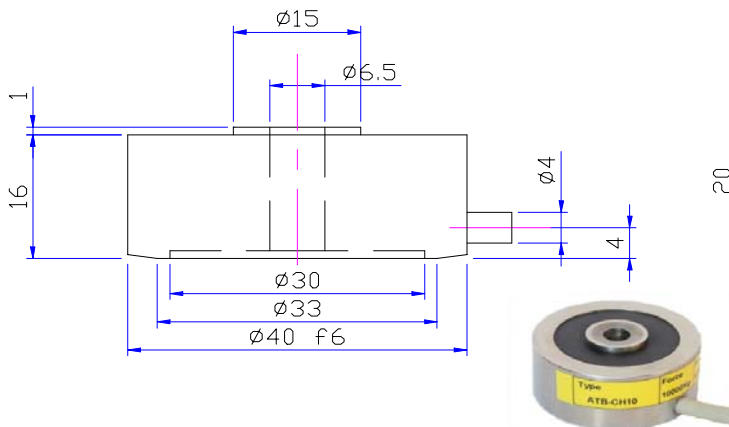
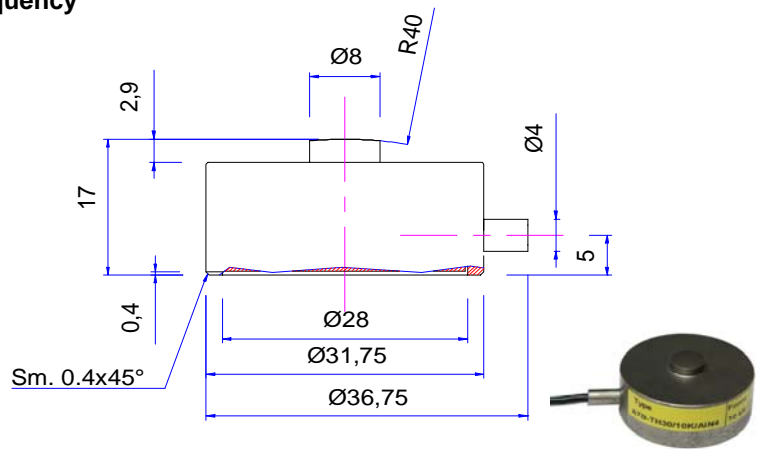
**COMPRESSION-TRACTION LOAD CELL  
 MESSDOSE ZUR ZUGDRUCKMESSUNG**

**ATB - CH  
 ATB - TH**

Data sheet CTH / 02 / 4 Datenblatt

**Compression load cell with high resonance frequency**

Dimensions in mm  
 Abmessungen in mm

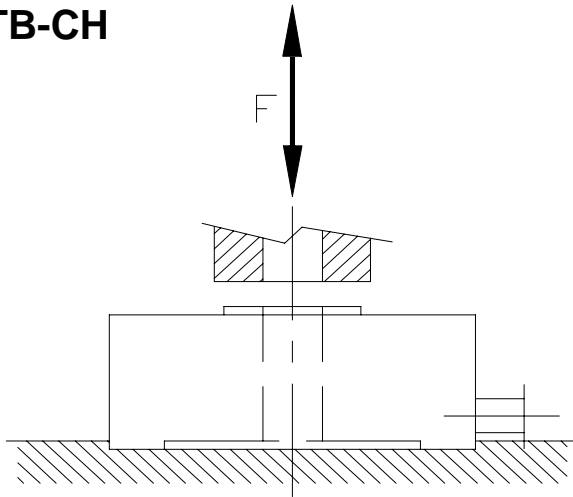


Type Typ	Nominal Force F (N) Messbereich F (N)							
			2K5	5K	10K	20K		
----								
ATB - TH 30								
ATB - CH 40	500	1K	2K5	5K	10K	25K	50K	100K
ATB - TH 40								

Technical Data		Technische Daten
- Limit Load	200% F	- Grenzlaster
- Ultimate Load	> 400% F	- Bruchlast
- Accuracy	0.5% F	- Genauigkeit
- Sensitivity	0,5 mV / V ± 10%	- Empfindlichkeit
- Repeatability (total error hysteresis and non-linearity)	< 0.3% F	- Wiederholgenauigkeit (gesamt Hysteresis-Abweichung und Nicht-linearität)
- Zero bridge balance	± 1% F	- Nullpunktabweichung
- Temperature effect on zero	± 0.1% F / 10° C	- Temperatureinfluß auf den Nullpunkt
- Nominal temperature range	-20 ... +60° C	- Nenntemperaturbereich
- Bridge resistance	350 ohm	- Brückenwiderstand
- Maximum supply voltage	12 Vdc	- Max. Speisespannung
- Protection Level	IP65	- Schutzgrad
- Material	Stainless steel rostbeständiger Edelstahl	- Material
- Cable	2 m	- Kabel
- Resonance frequency	> 3 KHz	- Resonanzfrequenz
- Deformation (100% F)	< 0.07 mm	- Verformung (100% F)
- Insulation resistance	> 10 Gohm	- Isolationswiderstand

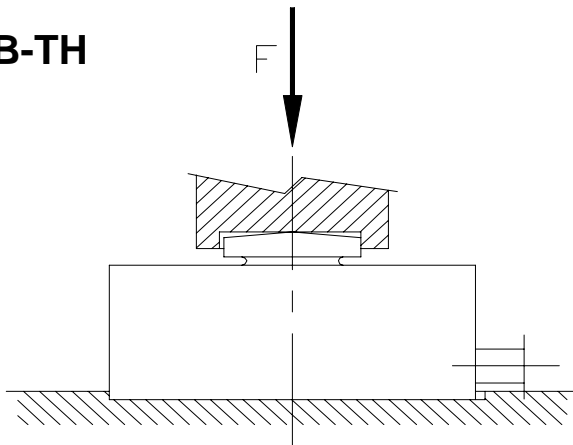
**ASSEMBLING EXAMPLE  
EINBAUBEISPIELE**

**ATB-CH**



- The load cell is a sensible element. Avoid each kind of overload, even temporary, both during the assembling and the operation phase.
- The force (F) has to be applied on the central axis of the load cell, perpendicularly to the bearing surface of the load cell itself, with a  $\pm 1^\circ$  tolerance.
- Avoid all lateral force which could change the load cell sizes and damage it.

**ATB-TH**



**ELECTRICAL CONNECTION  
ELEKTRISCHE ANSCHLÜSSE**

**Connection with 4 wires  
+ shield**  
*Anschluß mit 4 Adern +  
Abschirmung*



**Signal / Signal**

- Shield / Abschirmung
- SIG +
- EXC +
- SIG -
- EXC -

**ORDER CODE  
BESTELLCODE**

