



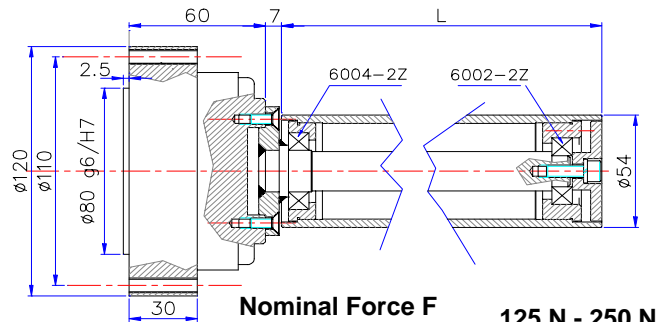
ASA-RT s.r.l.

Strada del Lionetto 16/a, 10146 Torino, ITALY
 Tel +39 011 796333 - FAX +39 011 712339
 E-Mail: info@asa-rt.com http:// www.asa-rt.com

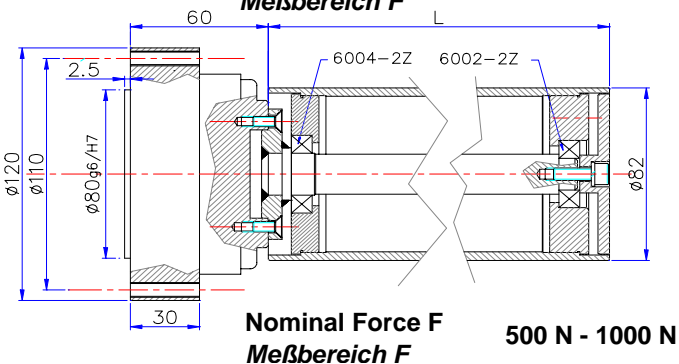
Load cell with roll
 Messdose mit Rollen

ATB - RLI

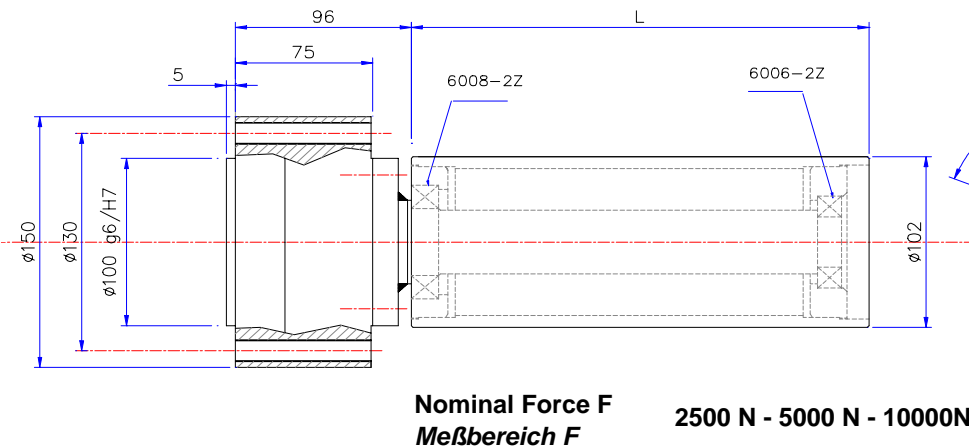
Datasheet RLI / 97 / 6 Datenblatt



Nominal Force F
 Meßbereich F 125 N - 250 N

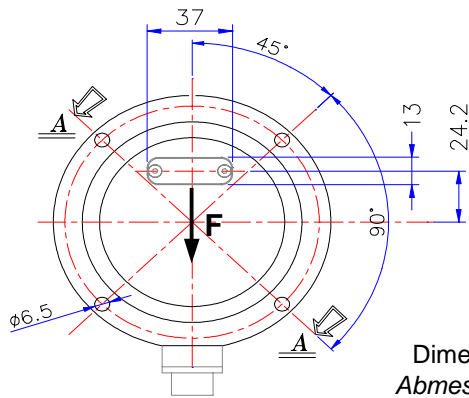


Nominal Force F
 Meßbereich F 500 N - 1000 N

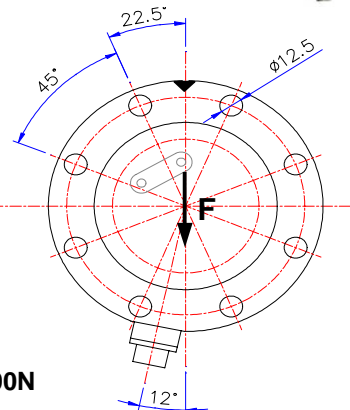


Nominal Force F
 Meßbereich F 2500 N - 5000 N - 10000 N

For tension tape measuring



Dimensions in mm
 Abmessungen in mm



Technical Data

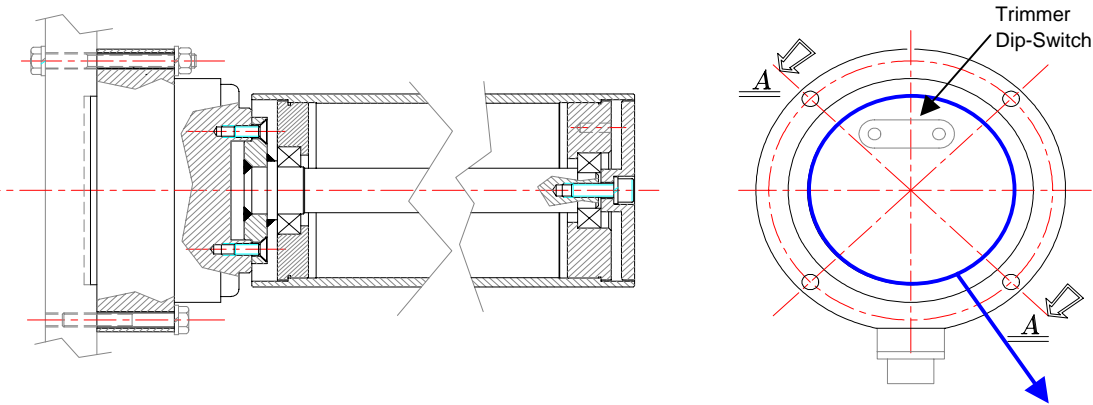
Technische Daten

- Limit Load
- Accuracy
- Sensitivity
- Repeatability (total error hysteresis and non-linearity)
- Error due to the removal of the load application point
- Zero bridge balance
- Temperature effect on zero
- Temperature range
- Bridge resistance
- Protection Level
- Load cell material
- Supply voltage
- Output
- Male connector, 4 poles, Ø18
- Male connector, 5 poles, Ø21

> 200% F
 0.2% F
 1 mV / V
 < 0.3% F
 < 0,02 % F / mm
 ± 1% F
 ± 0.1% F / 10° C
 +10 ...+60° C
 350 ohm
 IP55
 Avional (F ≤ 1000 N)
 Steel / Stahl (F > 1000 N)
 24Vdc ±10% - 2W
 0÷10V / 5mA analog,
 4-20mA analog, RS485
 Committal
 ITT Cannon

- Grenzlast
- Genauigkeit
- Empfindlichkeit
- Wiederholgenauigkeit (gesamt Hysteresis-Abweichung und Nichtlinearität)
- Nullpunktabweichung
- Temperatureinfluß auf den Nullpunkt
- Arbeitstemperaturbereich
- Brückenwiderstand
- Schutzgrad
- Material
- Speisespannung
- Ausgang
- Zwitterstecker, 4 polige, Ø18
- Zwitterstecker, 5 polige, Ø21

ASSEMBLING EXAMPLE EINBAUBEISPIELE



	Male connector <i>Zwitterstecker</i>	Recommended female connector <i>Empfohlen Steckerhülle</i> (90°)	
Commital	IPT02A-8-4P-N436	IPT06A-8-4S(SR)-N436	IPT08-EM8-4S
ITT Cannon	SRCN2A 165P	SRCN6A 135S	-----

Keep this zone accessible to allow eventual calibration operation

Roll Data		Rollen Daten
- Roll length	100 ÷ 250mm	- Rollenlänge
- Roll material	Aluminium 6061 hard anodizing	- Rollenmaterial
- Roll surface	smooth / <i>glatt</i> grooved (on demand)	- Rollenfläche
- Surface treatment	on demand	

ELECTRICAL CONNECTION ELEKTRISCHE ANSCHLÜSSE

Connector <i>Anschluß</i> Commital	Connector <i>Anschluß</i> ITT Cannon	Signal <i>Signal</i>	Signal <i>Signal</i>
A	1	+24V	+24V
B	2	COM24	COM24
C	3	OUT -	RS485+
D	4	OUT +	RS485 -
---	5	EARTH	EARTH

ORDER CODE BESTELLCODE

