

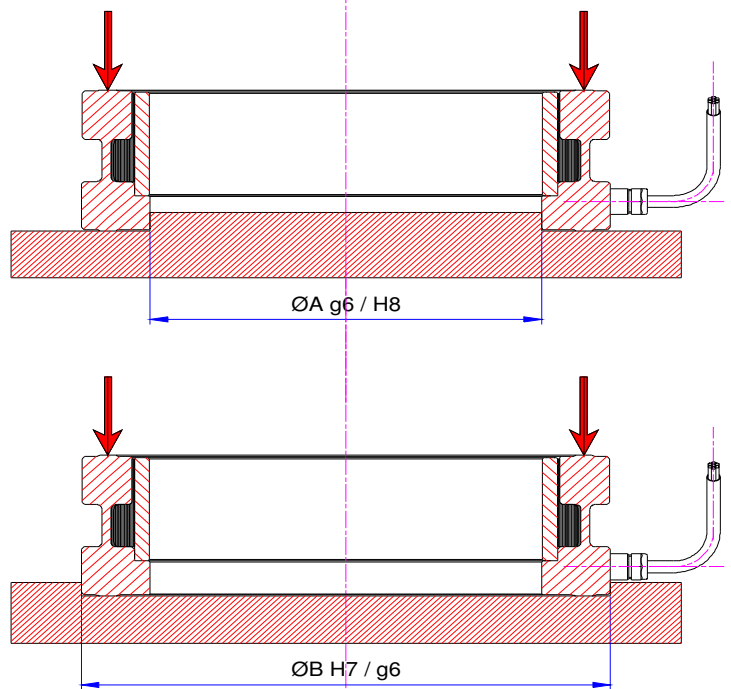
Dimensions in mm  
 Abmessungen in mm

Type Typ	Nominal Force F (kN) Nominalmessbereich F (kN)					A	B	C	H	E	F	M	L	K
	50	75	100	150	200									
ATB-TSN / A	50	75	100	150	200	32	70	57	40	12,5	8	7	4	6
	250													
ATB-TSN / B	50	75	100	150	200	50	90	76,5	40	12,5	9	7	4	6
	250	500												
ATB-TSN / C			100	150	200	90	130	116,5	40	12,5	9	7	4	6
	250	500	750											
ATB-TSN / D	250	500				148	200	180	60	21	15	12,5	5	8
ATB-TSN / E		500	750	1000		208	260	240	60	21	15	12,5	5	8

Technical Data	Technische Daten	
- Max. working load (limit load)	150% F	- Max. Gebrauchslast (Grenzlast)
- Ultimate Load	> 200% F	- Bruchlast
- Sensitivity	1 mV / V or 2 mV / V	- Empfindlichkeit
- Accuracy	< 0.5 % F	- Genauigkeit
- Repeatability	< 0.5 % F	- Wiederholgenauigkeit
- Combined error	< 1 % F	- Totalfehler
- Zero bridge balance	± 1% F	- Nullpunktabweichung
- Temperature effect on zero	± 0.1% F / 10 °C	- Temperatureinfluß auf den Nullpunkt
- Nominal temperature	+10 ... +80 °C	- Nominaltemperaturbereich
- Working temperature	-10 ... +80 °C	- Arbeitstemperaturbereich
- Bridge resistance	700 ohm (8 strain gauges)	- Brückenwiderstand
- Maximum supply voltage	12 Vdc	- Max. Speisespannung
- Protection Level	IP54	- Schutzgrad
- Material	IP67 in oil / in Öl	- Material
- Force density	Steel / Stahl	- Kabellänge
- Cable length	≤ 350 N / mm <sup>2</sup>	- Isolationswiderstand
- Insulation resistance	2 m	- Kalibrierwiderstand
- Calibration resistor	> 10 Gohm	
	internal / innen	

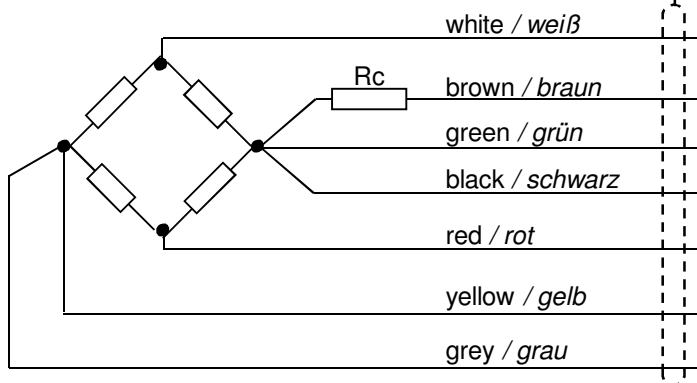
### ASSEMBLING EXAMPLE EINBAUBEISPIELE

Type Typ	D	Sensitivity Empfindlichkeit
ATB-TSN / A / 50K / ...	2	1 mV/V
ATB-TSN / A / 75K / ...	3	1 mV/V
ATB-TSN / A / 100K / ...	3,8	1 mV/V
ATB-TSN / A / 150K / ...	4	2 mV/V
ATB-TSN / A / 200K / ...	5,3	2 mV/V
ATB-TSN / A / 250K / ...	6,5	2 mV/V
ATB-TSN / B / 50K / ...	1,5	1 mV/V
ATB-TSN / B / 75K / ...	2,3	1 mV/V
ATB-TSN / B / 100K / ...	3	1 mV/V
ATB-TSN / B / 150K / ...	4,4	1 mV/V
ATB-TSN / B / 200K / ...	4	2 mV/V
ATB-TSN / B / 250K / ...	5	2 mV/V
ATB-TSN / B / 500K / ...	6,8	2 mV/V
ATB-TSN / C / 100K / ...	2	1 mV/V
ATB-TSN / C / 150K / ...	2,9	1 mV/V
ATB-TSN / C / 200K / ...	2,6	2 mV/V
ATB-TSN / C / 250K / ...	3,3	2 mV/V
ATB-TSN / C / 500K / ...	4,9	2 mV/V
ATB-TSN / C / 750K / ...	6,9	2 mV/V
ATB-TSN / D / ... / ...	6	1 mV/V
ATB-TSN / E / ... / ...	8	1 mV/V



### ELECTRICAL CONNECTION ELEKTRISCHE ANSCHLÜSSE

Teflon cable with 7 wires + shield  
Teflonkabel mit 7 Adern + Abschirmung



Shield  
Abschirmung

Signal names  
Signalbezeichnungen

- SIG +
- Calibration resistance  
Kalibrierwiderstand
- EXC +
- SNS + (N.C. ATB-TSN/A/...  
ATB-TSN/B/...  
ATB-TSN/C/...)
- SIG -
- EXC -
- SNS - (N.C. ATB-TSN/A/...  
ATB-TSN/B/...  
ATB-TSN/C/...)

### ORDER CODE BESTELLCODE

