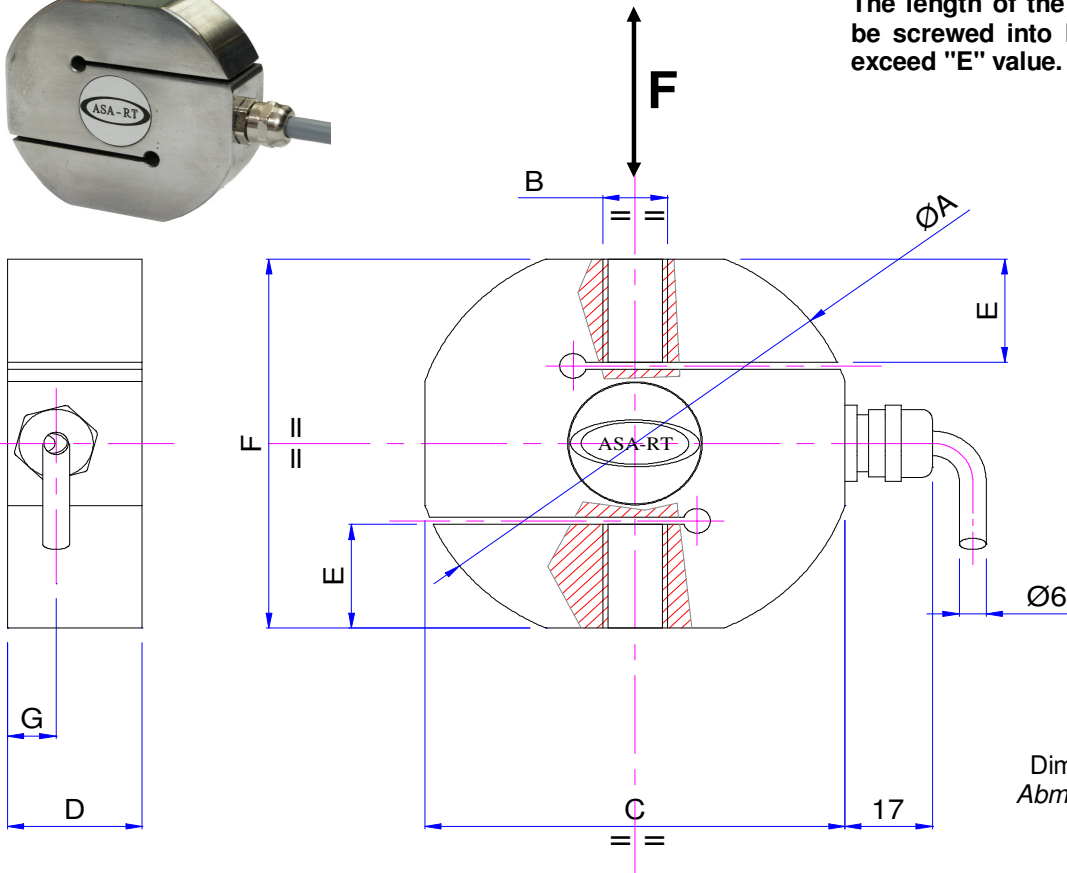




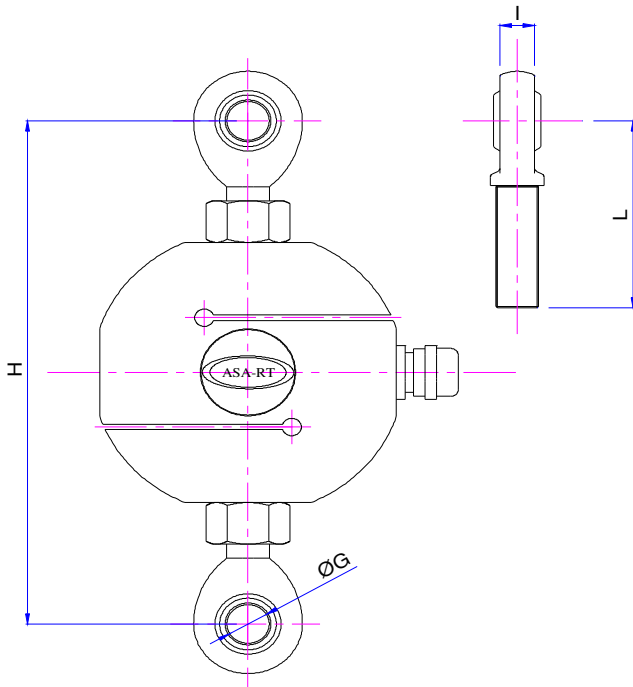
The length of the threaded shank to be screwed into holes "B" must not exceed "E" value.



| Nominal Force F (Kg)<br>Meßbereich F (Kg) |      | A   | B        | C  | D  | E  | F  | G   | Sensitivity<br>Empfindlichkeit |
|---|------|-----|----------|----|----|----|----|-----|--------------------------------|
| 250                                       | 500  | 82  | M12x1,75 | 78 | 25 | 21 | 75 | 7,5 | 2 mV/V                         |
|   | 1000 | 82  | M12x1,75 | 78 | 25 | 18 | 75 | 7,5 | 2 mV/V                         |
| 2000                                      | 2500 | 82  | M20x1,5  | 78 | 30 | 21 | 75 | 9   | 2 mV/V                         |
| 5000                                      | 7500 | 102 | M24x2    | 90 | 45 | 24 | 90 | 12  | 1 mV/V                         |

| Technical Data               | Technische Daten                             |                                       |
|------------------------------|--|---------------------------------------|
| - Limit Load                 | 150 % F                                      | - Grenzlast                           |
| - Ultimate Load              | > 300 % F                                    | - Bruchlast                           |
| - Accuracy                   | < 0.2 % F                                    | - Genauigkeit                         |
| - Repeatability              | < 0.2 % F                                    | - Wiederholgenauigkeit                |
| - Combined error             | < 0.3 % F                                    | - Totalfehler                         |
| - Zero bridge balance        | ± 1 % F                                      | - Nullpunktabweichung                 |
| - Temperature effect on zero | ± 0.1% F / 10 °C                             | - Temperatureinfluß auf den Nullpunkt |
| - Nominal temperature        | +10 ... +60 °C   +10 ... +100 °C             | - Nominaltemperaturbereich            |
| - Working temperature        | -10 ... +80 °C   -10 ... +130 °C             | - Arbeitstemperaturbereich            |
| - Bridge resistance          | 350 Ohm                                      | - Brückenwiderstand                   |
| - Maximum supply voltage     | 12 Vdc                                       | - Max. Speisespannung                 |
| - Protection Level           | IP65   | - Schutzgrad                          |
| - Material                   | Stainless steel<br>rostbeständiger Edelstahl | - Material                            |
| - Cable length               | 3 m  | - Kabellänge                          |
| - Insulation resistance      | > 10 Gohm                                    | - Isolationswiderstand                |

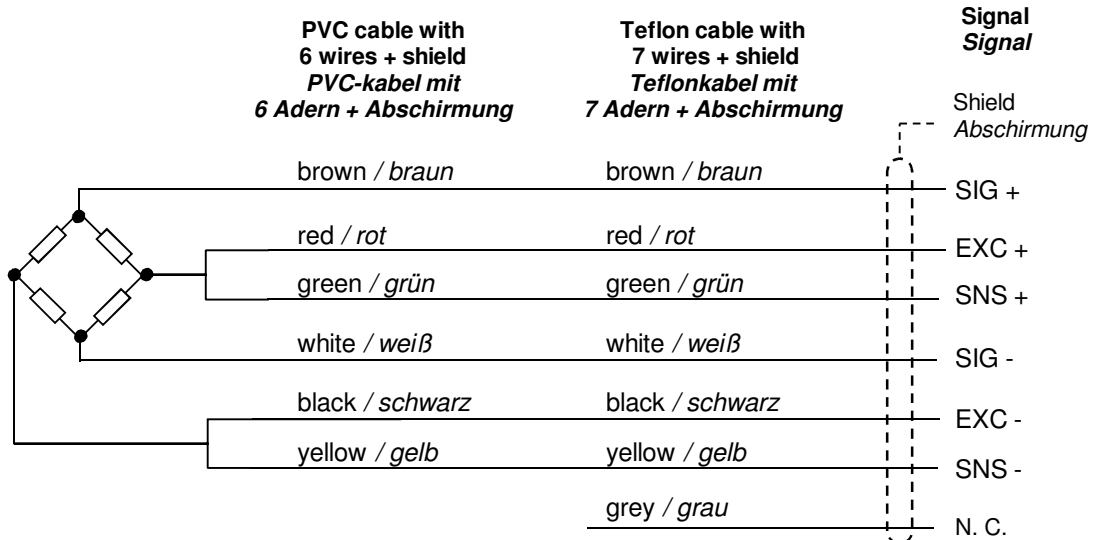
**ASSEMBLING EXAMPLE  
EINBAUBEISPIEL**



**Ball and socket joint not included  
Kugelgelenkwelle nicht in Lieferumfang**

| Nominal Force F (Kg)<br>Meßbereich F (Kg) |      | G  | H    | I       | L  |
|---|------|----|------|---------|----|
| 500                                       | 1000 | 12 | >147 | 8,5±12  | 54 |
| 2000                                      | 2500 | 20 | >189 | 13,5±18 | 78 |
| 5000                                      | 7500 | 25 | >230 | 18      | 94 |

**ELECTRICAL CONNECTION  
ELEKTRISCHE ANSCHLÜSSE**



**ORDER CODE  
BESTELLCODE**

